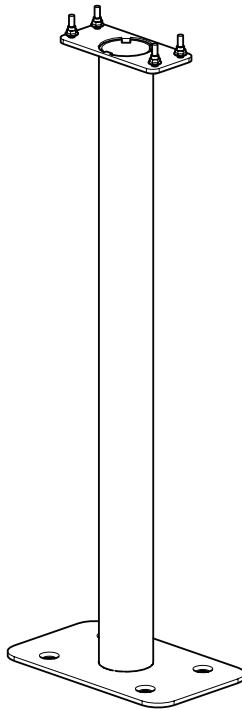


# Installation Guide

**SPDS1100**

**Indoor - Base Pole**

**STEP 1 OF 2**



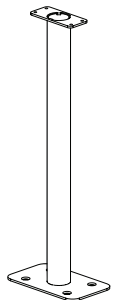
## CAUTION

- Please ensure that you read and understand the contents of the installation guide before you begin the installation process.
- This product must be installed by a professional installer.
- This product is designed to be mounted on flat concrete surface. Before installation please verify that the supporting surface can bear the combined weight of the full solution and hardware.
- Do not to overtighten the fixings.
- The maximum weight limit for enclosure and the hardware (screen, accessories etc.) for this solution is 120 kg. Do not exceed the stated weight limit.
- It is the responsibility of the installer to use the appropriate chemical anchors for the specific installation location. Please follow the fixing suppliers recommendations for installation.
- This product is intended for indoor use only.
- If these installation instructions are not followed precisely, it can lead to product failure and potential personal injury.
- Ergonomic Solutions cannot be held responsible for any failure or injury, if the installation instructions are not followed correctly.
- Ergonomic Solutions cannot be held responsible for any failure or injury, if any modifications have been made to the product by the customer.

### MAINTENANCE

- It is the responsibility of the customer to periodically check the installation and ensure it is clean and all fixings are tightened correctly.

### Box content



x1 Base pole (A)

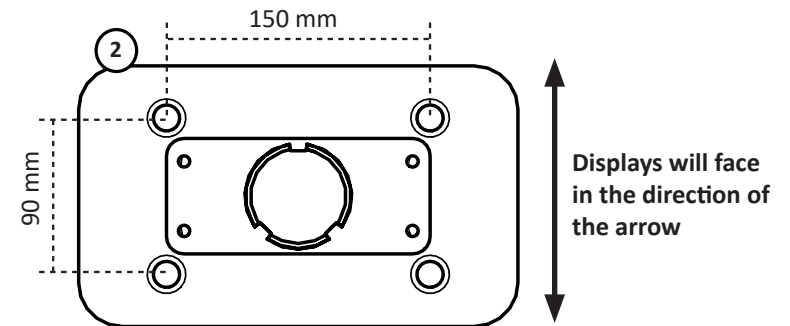
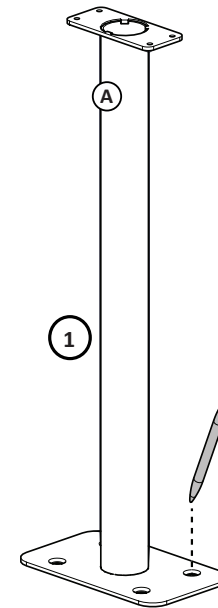
 x4 M6 x 30mm screws (B)

 x4 M6 nuts (C)

### Tool list



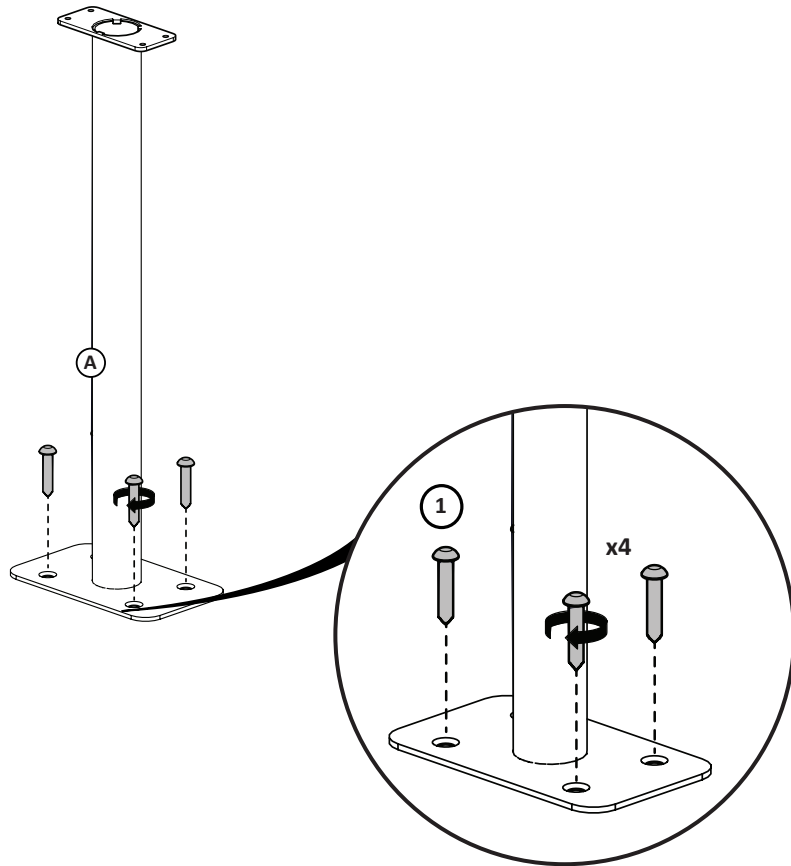
## 1 Position base pole on floor




1 Place base pole on level concrete floor

2 Use the large flange of the pole to mark up the drilling locations

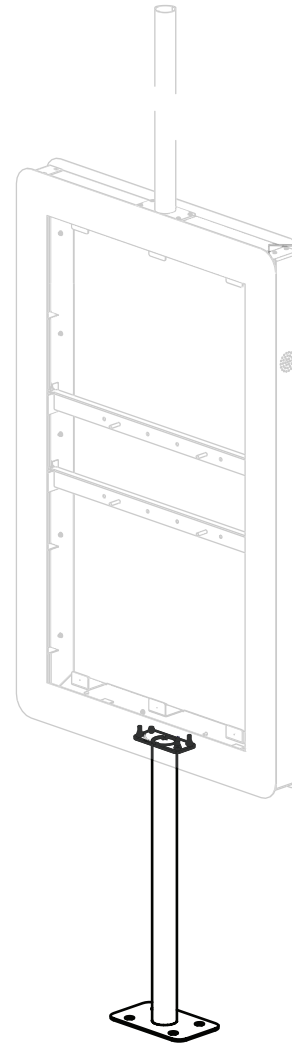
## 2 Mount base pole



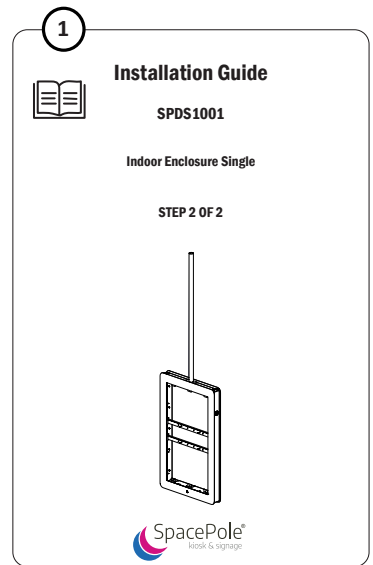
1 Fix base pole with 4x fixings

 No ground fixings supplied with SPDS1100

## 3 Indoor base pole & enclosure



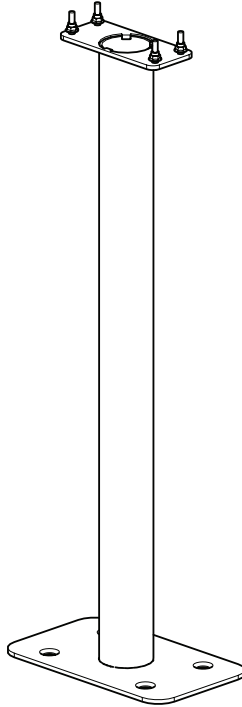
SPDS1100 + SPDS1001



1 Continue installation with guide MK15-0378 for SPDS1001



Need help? Contact us



## SPDS1100



[ergonomic.solutions/about/contact-us](https://ergonomic.solutions/about/contact-us)



[spacepole.com/about/contact-us](https://spacepole.com/about/contact-us)

